



# P&Z ELECTRONICS CO.,LTD

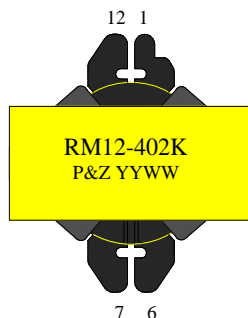
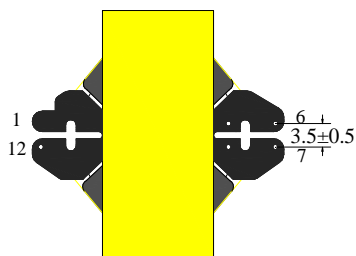
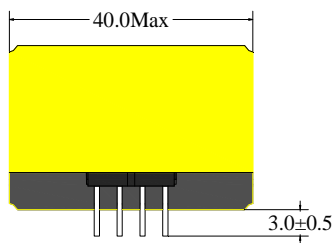
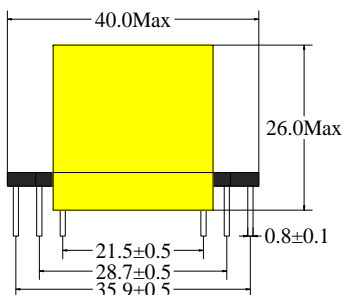
PZ-RM12 transformer

Web:<http://www.dgpinzhan.com>

E-mail:[sales@dgpinzhan.com](mailto:sales@dgpinzhan.com)

Part Code	Date	Production	Type	Version	Page
PZ-RM12-402K	2013/7/22	Tom	DIP	A001	1

## 1. Dimensions: [mm]



## 4. General Properties:

It is recommended that the temperature of the component does not exceed +125°C under worst case conditions.

Storage Temperature:	-20 °C up to +60 °C
----------------------	---------------------

Operating Temperature:	-40 °C up to +125 °C
------------------------	----------------------

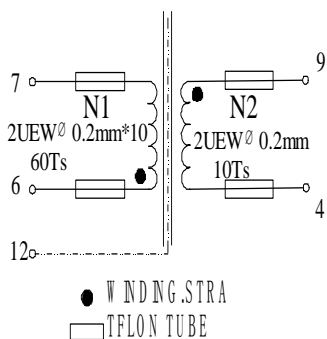
Temperature Rise < 55K.

Test conditions of Electrical Properties: +20°C, 33% RH if not specified differently.

## 5. Electrical Properties:

Properties	Test conditions	Value	Unit	Tolerance
Inductance:6-7	1KHZ/1V	4	mH	±10%
Turns ratio:	N2:N1	0.167:1		±1%
Hi-pot: Pri-Sec	AC1500V/5mA/3S		V/(AC)	Pass
Hi-pot: Pri/Sec-Core	AC500V/5mA/3S		V/(AC)	Pass

## 2. Schematic:



## 3. Winding construction:

