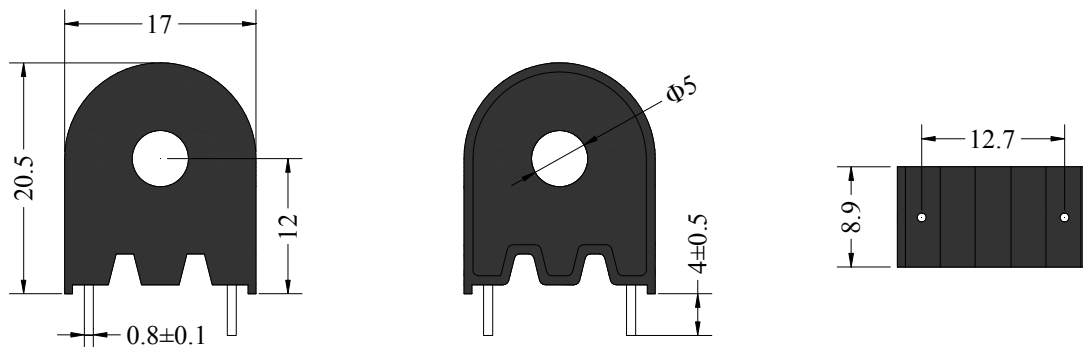


Features:

Small size, light weight, high precision, moisture-proof, anti-vibration, good consistency

Dimensions: (Unit: mm)



Electrical Characteristics:

Dimensions: Inner Diameter/Outer Diameter/L*W*H	$\Phi 5 \Phi 17$ 17*20.5*8.9
Input rated current:	6A
Output rated current	2mA
Turns ratio	3000:1
Phase difference	$\leq 20'$
Current Range:	0~40A
sLoad Resistance:	5Ω
Accuracy Class	0.2
Operating Temperature:	-40°C~+85°C
Isolation Withstand Voltage:	4000V
Sealing Material:	Epoxy
Installation Method:	PCB