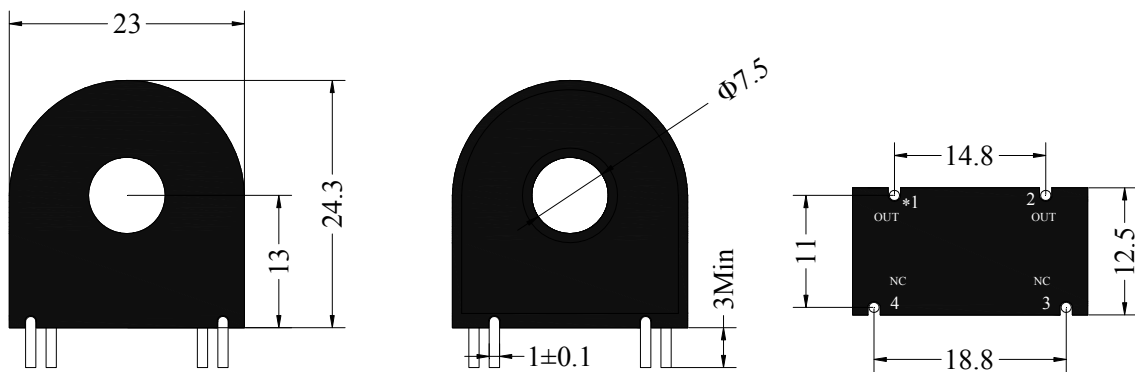


Features:

Small size, light weight, high precision, moisture-proof, anti-vibration, good consistency

Electrical Characteristics:



Dimensions: (Unit: mm)

Dimensions:Inner Diameter/Outer Diameter/L*W*H	Φ7.5 23*24.3*12.5
Input rated current:	5A
Output rated current	2.5mA
Turns ratio	2000:1
Phase difference	≥15'
Current Range:	0~40A
sLoad Resistance:	50Ω
Accuracy Class	0.2
Operating Temperature:	-40°C~+85°C
Isolation Withstand Voltage:	4000V
Sealing Material:	Epoxy
Installation Method:	PCB